

● DVC (DUAL VOICE COIL) CONNECTION
● CONEXIÓN DE DVC (DOBLE BOBINA MÓVIL)

● CONNEXION DVC (DOUBLE BOBINE MOBILE)
● CONEXÃO DVC (BOBINA DE VOZ DUAL)

● RECOMMENDED ENCLOSURE VOLUMES / PORT SIZES
● VOLUMENES DE LA CAJA / TAMAÑOS DE LAS PUERTAS RECOMENDADOS

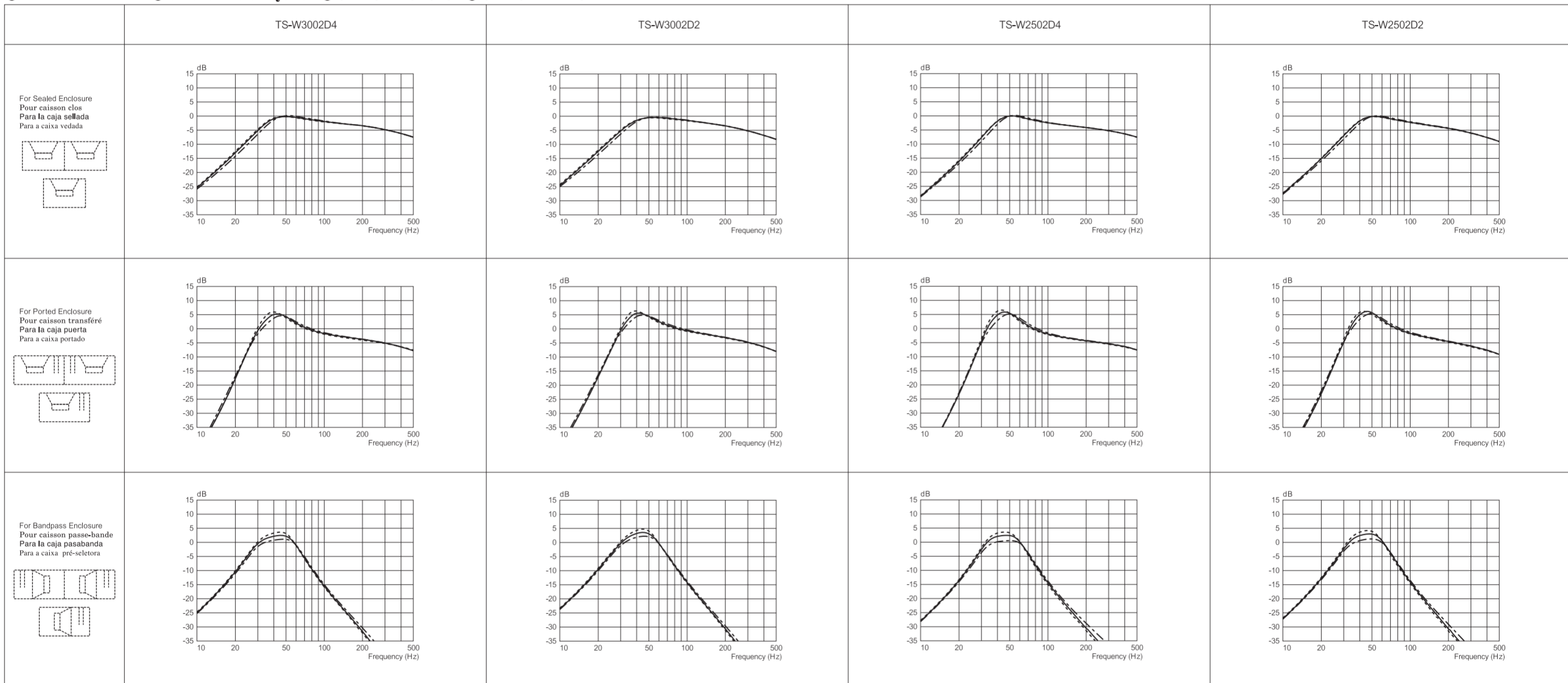
● CONCEPTION POUR CAISSON / EVENT
● VOLUME DA CAIXA / TAMANHO DO ORIFÍCIO RECOMENDADOS

Connection Connexion Conexión Conexões	Speaker wiring Câblage des haut-parleurs Conexión de los alambres de los altavoces Ligações do altolante	Advantage Avantage Ventajas Vantagem	SEE VOIR VER VEJA
Bridged mono (Parallèle) Mono pontée (Parallèle) Sistema monofónico puenteado (Paralelo) Mono em ponte (Paralelo)	Series Wiring Installation électrique des fils en série Instalación eléctrica en serie Fiação em série	Good for higher sensitivity Une sensibilité plus élevée Apropiado para una mayor sensibilidad Bom para maior sensibilidade	1
Stereo Stéréo Sistema estereofónico Estéreo	Paralel Wiring Installation électrique des fils en parallèle Instalación eléctrica en paralelo Fiação em paralelo	Good for higher sensitivity Une sensibilité plus élevée Apropiado para una mayor sensibilidad Bom para maior sensibilidade	1
Bridged mono Mono pontée Sistema monofónico puenteado Mono em ponte	Paralel Wiring Installation électrique des fils en parallèle Instalación eléctrica en paralelo Fiação em paralelo	Good for higher sensitivity Une sensibilité plus élevée Apropiado para una mayor sensibilidad Bom para maior sensibilidade	2

SEE VOIR VER VEJA	For Sealed Enclosure Pour caisson clos Para la caja sellada Para a caixa vedada	For Ported Enclosure Pour caisson transféré Para la caja puerta Para a caixa portado	For Bandpass Enclosure Pour caisson passe-bande Para la caja pasabanda Para a caixa pré-seletoira
1			
2			
RECOMMENDATION RECOMMANDATION RECOMENDACIÓN RECOMENDAÇÃO	<p>A</p> TS-W3002D4 0.8 cuft (22.6 liters) TS-W3002D2 0.8 cuft (22.6 liters)	<p>B C</p> TS-W3002D4 1.2 cuft (34.0 liters) 3" Dia. (ø76 mm) × 3.5" (89 mm) TS-W3002D2 1.2 cuft (34.0 liters) 3" Dia. (ø76 mm) × 3.5" (89 mm)	<p>D E F</p> TS-W3002D4 1.0 cuft (28.3 liters) 1.0 cuft (28.3 liters) 3" Dia. (ø76 mm) × 7" (178 mm) TS-W3002D2 1.0 cuft (28.3 liters) 1.0 cuft (28.3 liters) 3" Dia. (ø76 mm) × 6.75" (171 mm)
MAXIMUM MAXIMUM MÁXIMA MÁXIMA	<p>A</p> TS-W3002D4 1.0 cuft (28.3 liters) TS-W3002D2 1.0 cuft (28.3 liters)	<p>B C</p> TS-W3002D4 1.6 cuft (45.3 liters) 3" Dia. (ø76 mm) × 2.5" (64 mm) TS-W3002D2 1.6 cuft (45.3 liters) 3" Dia. (ø76 mm) × 2.5" (64 mm)	<p>D E F</p> TS-W3002D4 1.2 cuft (34.0 liters) 1.2 cuft (34.0 liters) 3" Dia. (ø76 mm) × 5.5" (140 mm) TS-W3002D2 1.2 cuft (34.0 liters) 1.2 cuft (34.0 liters) 3" Dia. (ø76 mm) × 5.25" (133 mm)
MINIMUM MINIMUM MÍNIMA MÍNIMA	<p>A</p> TS-W3002D4 0.5 cuft (14.2 liters) TS-W3002D2 0.5 cuft (14.2 liters)	<p>B C</p> TS-W3002D4 0.8 cuft (22.6 liters) 3" Dia. (ø76 mm) × 7" (178 mm) TS-W3002D2 0.8 cuft (22.6 liters) 3" Dia. (ø76 mm) × 7" (178 mm)	<p>D E F</p> TS-W3002D4 0.8 cuft (22.6 liters) 0.8 cuft (22.6 liters) 3" Dia. (ø76 mm) × 9" (229 mm) TS-W3002D2 0.8 cuft (22.6 liters) 0.8 cuft (22.6 liters) 3" Dia. (ø76 mm) × 8.75" (222 mm)
	<p>A</p> TS-W2502D4 0.35 cuft (9.9 liters) TS-W2502D2 0.35 cuft (9.9 liters)	<p>B C</p> TS-W2502D4 0.6 cuft (17.0 liters) 3" Dia. (ø76 mm) × 7" (178 mm) TS-W2502D2 0.6 cuft (17.0 liters) 3" Dia. (ø76 mm) × 7" (178 mm)	<p>D E F</p> TS-W2502D4 0.6 cuft (17.0 liters) 0.6 cuft (17.0 liters) 3" Dia. (ø76 mm) × 11" (279 mm) TS-W2502D2 0.6 cuft (17.0 liters) 0.6 cuft (17.0 liters) 3" Dia. (ø76 mm) × 10.75" (273 mm)

The recommended enclosure volumes include speaker displacement.
Les volumes de caisson recommandé comprennent le déplacement HP.
Los volúmenes encastrados recomendados incluyen el desplazamiento del altoparlante.
Os volumes encastrados recomendados incluem o deslocamento do alto-falante.

● CHARACTERISTICS ● CARACTERISTIQUES ● CARACTERÍSTICAS ● CARACTERÍSTICAS



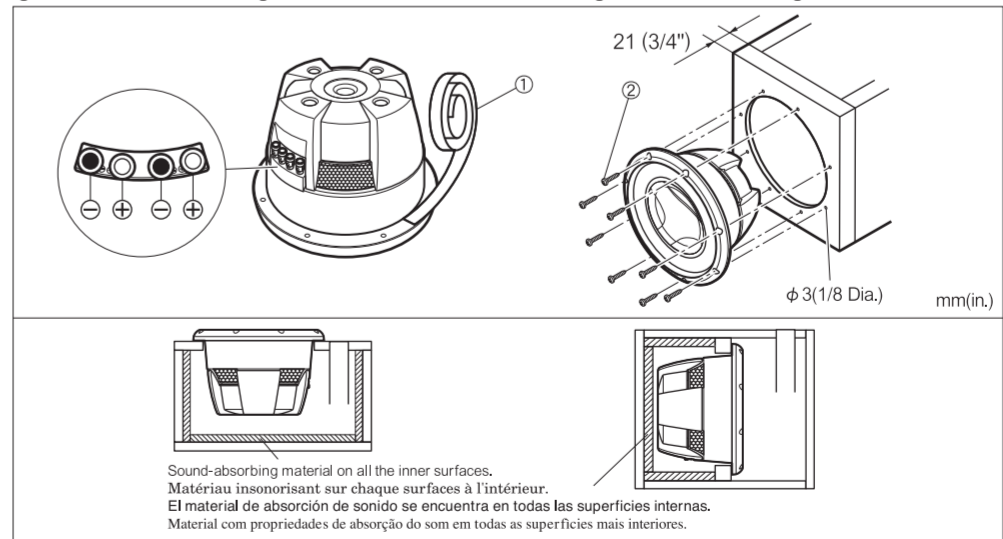
RECOMMENDED ENCLOSURE VOLUME VOLUME RECOMMANDÉ DU CAISSON DE L'ENCEINTE VOLUMEN DE LA CAJA RECOMENDADO VOLUME DA CAIXA RECOMENDADO
MAXIMUM ENCLOSURE VOLUME VOLUME MAXIMUM DU CAISSON DE L'ENCEINTE VOLUMEN MÁXIMO DE LA CAJA VOLUME MÁXIMO DA CAIXA
MINIMUM ENCLOSURE VOLUME VOLUME MINIMUM DU CAISSON DE L'ENCEINTE VOLUMEN MÍNIMO DE LA CAJA VOLUME MÍNIMO DA CAIXA

● SPECIFICATIONS ● CARACTERISTIQUES ● ESPECIFICACIONES ● ESPECIFICAÇÕES

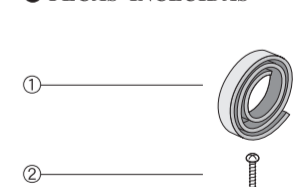
Model Modèle Modelo Modelo	Size Taille Tamaño Tamanho	Nominal power Puissance nominale Potencia nominal Potência nominal	Maxmusic power Puissance musicale maximum Máxima potencia de musica Potência máxima da música	Nominal impedance Impédance nominale Impedancia nominal Impedância nominal	Sensitivity Sensibilité Sensibilidad Sensibilidade	Frequency response Bande passante Respuesta de frecuencia Resposta de frequência	Magnet weight Poids aimant Peso del imán Peso do magneto	Displacement Déplacement Desplazamiento Deslocamento
TS-W3002D4	12" (30 cm)	1 000 W	3 500 W	dual 4 Ω	90 dB ± 1.5 dB (in car, input: 1 W)	20 Hz To 150 Hz (-20 dB in car, input: 1 W)	3 230 g (110 oz)	0.181 cuft 5.12 liters
TS-W3002D2	12" (30 cm)	1 000 W	3 500 W	dual 2 Ω	90 dB ± 1.5 dB (in car, input: 1 W)	20 Hz To 150 Hz (-20 dB in car, input: 1 W)	3 230 g (110 oz)	0.181 cuft 5.12 liters
TS-W2502D4	10" (25 cm)	800 W	3 000 W	dual 4 Ω	89 dB ± 1.5 dB (in car, input: 1 W)	20 Hz To 150 Hz (-20 dB in car, input: 1 W)	2 490 g (88 oz)	0.117 cuft 3.31 liters
TS-W2502D2	10" (25 cm)	800 W	3 000 W	dual 2 Ω	89 dB ± 1.5 dB (in car, input: 1 W)	20 Hz To 150 Hz (-20 dB in car, input: 1 W)	2 490 g (88 oz)	0.117 cuft 3.31 liters

Model Modèle Modelo Modelo	Revc (Ω)	Levc (mH) 8 Ω / 2 Ω	Zmax (Ω) 8 Ω / 2 Ω	Fs (Hz)	Qms	Qes	Qts	Vas (cu.ft) (liters)	Rms (NS/m)	Mms (g)	Cms (m/N)	Diam (inch) (mm)	Sd (sq.in) (sq.cm)	BL (T.m) 8 Ω / 2 Ω	Xmax (inch) (mm)	Hvc (inch) (mm)	Hag (inch) (mm)
TS-W3002D4	dual 3.3	5.55 (8 Ω) Series wiring 1.39 (2 Ω) Parallel wiring	157.77 (8 Ω) Series wiring 38.53 (2 Ω) Parallel wiring	31.4	15.13	0.68	0.65	0.460 13.03	5.334	408.83	6.29 × 10 ⁻⁵	9.3 236	67.8 0.043 7	28.38 (8 Ω) Series wiring 14.19 (2 Ω) Parallel wiring	0.51 12.9	1.96 49.8	0.94 24
TS-W3002D2	dual 1.5	3.174 (4 Ω) Series wiring 0.79 (1 Ω) Parallel wiring	86.20 (4 Ω) Series wiring 20.85 (1 Ω) Parallel wiring	30.0	15.06	0.57	0.55	0.461 13.05	5.610	448.66	5.60 × 10 ⁻⁵	9.3 236	67.8 0.043 7	21.58 (4 Ω) Series wiring 10.79 (1 Ω) Parallel wiring	0.48 12.3	1.91 48.5	0.94 24
TS-W2502D4	dual 3.3	4.80 (8 Ω) Series wiring 1.20 (2 Ω) Parallel wiring	133.73 (8 Ω) Series wiring 32.72 (2 Ω) Parallel wiring	36.0	14.34	0.78	0.74	0.240 6.77	4.602	291.71	6.66 × 10 ⁻⁵	7.9 200	48.6 0.031 3	24.16 (8 Ω) Series wiring 12.08 (2 Ω) Parallel wiring	0.39 9.8	1.68 42.7	0.91 23
TS-W2502D2	dual 1.5	3.074 (4 Ω) Series wiring 0.76 (1 Ω) Parallel wiring	68.48 (4 Ω) Series wiring 16.56 (1 Ω) Parallel wiring	34.7	14.73	0.69	0.66	0.222 6.23	4.994	339.19	6.19 × 10 ⁻⁵	7.9 200	48.6 0.031 3	18.08 (4 Ω) Series wiring 9.04 (1 Ω) Parallel wiring	0.43 11.0	1.77 45.0	0.91 23

● HOW TO INSTALL ● MODE D'INSTALLATION ● INSTALACION ● COMO INSTALAR



● PARTS INCLUDED ● PIÈCES COMPRISES ● PIEZAS INCLUIDAS ● PECAS INCLUIDAS



Register your product at
Enregistrez votre produit au
<http://www.pioneerelectronics.com>
<http://www.pioneerelectronics.ca>